

Schiffsmaschinen und Industrieanlagenbau



EURO/7 modular pressure regulator workstation

Produktbeschreibung

Multi-supply-point station. Complete with EURO pressure regulator, pressure gauge and three or six 0-30 l/min flowmeters. G3/8" F R threaded ball valve on inlet. Ø 8 mm hose connector on outlet.

Normen

UNI EN ISO 2503 | UNI EN ISO 5171 | UNI EN ISO 9539

Komponenten

- CW614N brass body and cap.
- No.1 inlet G3/8" F R ball valve with red lever.
- Ø 8 mm hose connector on outlet.
- No.1 outlet pressure gauge, with range according to model and Ø 63 mm, class 2.5.
- N.3 or 6 argon or CO2 0-30 L/min flowmeters.
- Stainless steel springs.
- Stainless steel containment structure.
- Screen printed aluminum cover.
- NBR membrane.
- NBR O-ring.
- EPDM seat.
- Nylon gaskets.

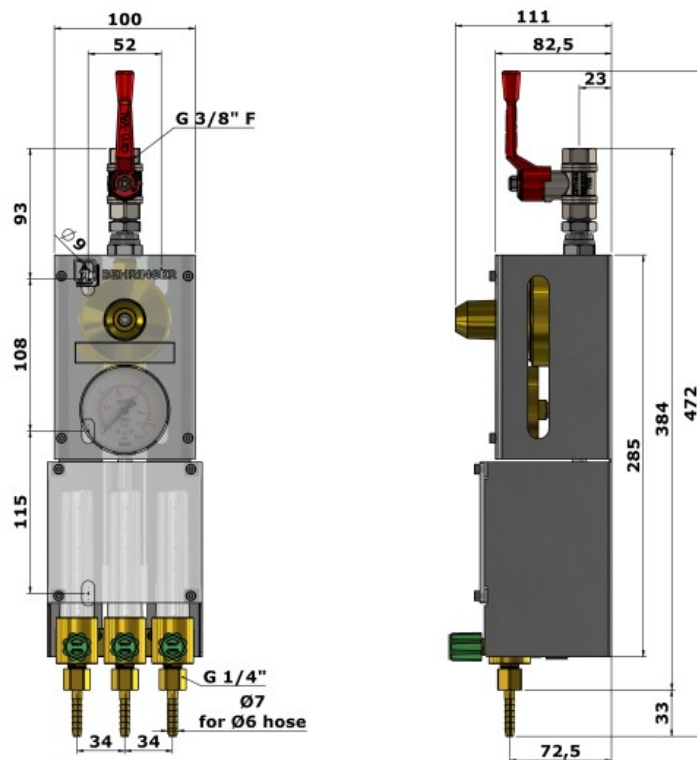
Wartungskit

| CODE | DESCRIPTION |
|-------|------------------------------------|
| CK006 | MAINTENANCE SEAT EQ WORKPLACES |
| CK007 | MEMBRANE MAINTENANCE EQ WORKPLACES |

Technische Daten

| CODE | GAS | P ₁ max. | P ₂ max. | INLET CONNECTION | OUTLET CONNECTION | PRESSURE GAUGE RANGE | TYPE | WEIGHT |
|--------|----------------------------|---------------------|---------------------|------------------|-----------------------|----------------------|--------------|--------|
| PL1055 | ARGON - ANIDRIDE CARBONICA | 30 bar | 4 bar | G3/8" F R | Ø 8 mm hose connector | 0-6 bar | 3 flowmeters | 3,5 kg |
| PL1056 | ARGON - ANIDRIDE CARBONICA | 30 bar | 4 bar | G3/8" F R | Ø 8 mm hose connector | 0-6 bar | 6 flowmeters | 5,5 kg |

Technische bilder



Behringer S.r.l. via Gualco 4, 16165 Genova ITALY

T +39 010 8309103

F +39 010 8309183

e-mail info@behringer.it

C.F. e P.I. 01167840998

