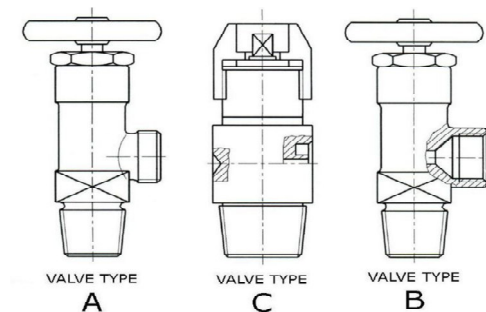




# BEHRINGER

## UNI 11144 CYLINDER CONNECTION

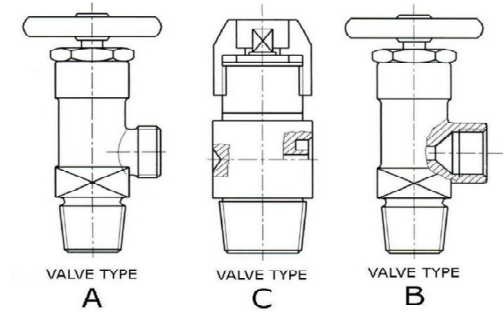


VALVE	GAS	Thread	VALVE TYPE	B	BG	BS	CGA	D	EE	F	HR	HU	I	MK	NL	RS	SI
				Belgium	Bulgaria	British	United States	Germany	Estonia	France	Croatia	Hungary	Italy	Macedonia	Netherlands	Serbia	Slovenia
UNI	UNI-6	Air	Air	W30x1/14" RH	A								✓				
	UNI-8	Ar	Argon	W24,51x1/14" RH	B								✓				
	UNI-7F	C2H2	Acetylene	G5/8" LH	B								✓				
	UNI-7S	C2H2	Acetylene	STAFFA	C	✓					✓		✓				
	UNI-1P	C3H8	Propane	W20x1/14" LH	A								✓				
	UNI-1H	CH4	Methane	W20x1/14" LH	A								✓				
	UNI-2	CO2	Industrial Carbon Dioxide	W21,7x1/14" RH	A								✓				
	UNI-10	CO2	Medical Carbon Dioxide	W27x2 RH	A								✓				
	UNI-1H	H2	Hydrogen	W20x1/14" LH	A								✓				
	UNI-8	He	Helium	W24,51x1/14" RH	B								✓				
	UNI-5	N2	Nitrogen	W21,7x1/14" RH	B								✓				
	UNI-9	N2O	Nitrous Oxide	G3/8" RH	A				✓				✓				
	UNI-2	O2	Oxygen	W21,7x1/14" RH	A								✓				



# BEHRINGER

## NF E29-650 CYLINDER CONNECTION

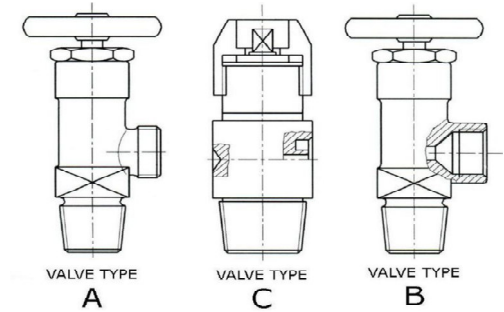


VALVE	GAS	Thread	VALVE TYPE	B	BG	BS	CGA	D	EE	F	HR	HU	I	MK	NL	RS	SI
				Belgium	Bulgaria	British	United States	Germany	Estonia	France	Croatia	Hungary	Italy	Macedonia	Netherlands	Serbia	Slovenia
NF	NF-B	Air	Industrial Air	SI30x1,75 RH	A					✓							
	NF-D	Air	Medical Air	W24x2 RH	A					✓							
	NF-C	Ar	Argon	SI21,7x1,814 RH	A					✓							
	NF-A	C2H2	Acetylene	STAFFA	C					✓			✓				
	NF-H	C2H2	Acetylene	W22,91x1,814 LH	B					✓							
	NF-E	C3H8	Propane	SI21,7x1,814 LH	A					✓							
	NF-E	CH4	Methane	SI21,7x1,814 LH	A					✓							
	NF-C	CO2	Carbon Dioxide	SI21,7x1,814 RH	A					✓							
	NF-E	H2	Hydrogen	SI21,7x1,814 LH	A					✓							
	NF-C	He	Helium	SI21,7x1,814 RH	A					✓							
	NF-C	N2	Nitrogen	SI21,7x1,814 RH	A					✓							
	NF-G	N2O	Nitrous Oxide	SI26x1,5 RH	B					✓							
	NF-F	O2	Oxygen	SI22,91x1,814 RH	B					✓							



# BEHRINGER

## DIN 477 CYLINDER CONNECTION



VALVE	GAS	Thread	VALVE TYPE	B	BG	BS	CGA	D	EE	F	HR	HU	I	MK	NL	RS	SI	
				Belgium	Bulgaria	British	United States	Germany	Estonia	France	Croatia	Hungary	Italy	Macedonia	Netherlands	Serbia	Slovenia	
DIN	DIN-6	Air	Air	W21,8x1/14" RH	A	✓								✓			✓	
	DIN-9	Air	Air	G3/4" RH	A	✓												
	DIN-13	Air	Air	G5/8" RH	B	✓			✓							✓		
	DIN-6	Ar	Argon	W21,8x1/14" RH	A		✓		✓			✓	✓		✓	✓	✓	
	DIN-9	Ar	Argon	G3/4" RH	A					✓								
	DIN-10	Ar	Argon	W24,32x1/14" RH	A					✓						✓		
	DIN-3	C2H2	Acetylene	STAFFA	C	✓	✓		✓			✓	✓		✓	✓	✓	✓
	DIN-4	C2H2	Acetylene	G3/8" LH	A				✓				✓					
	DIN-1	C3H8	Propane	W21,8x1/14" LH	A	✓			✓				✓		✓	✓	✓	✓
	DIN-1	CH4	Methane	W21,8x1/14" LH	A	✓			✓				✓		✓	✓	✓	✓
	DIN-6	CO2	Carbon Dioxide	W21,8x1/14" RH	A		✓		✓	✓		✓	✓		✓	✓	✓	✓
	DIN-9	CO2	Carbon Dioxide	G3/4" RH	A					✓								
	DIN-1	H2	Hydrogen	W21,8x1/14" LH	A	✓			✓				✓		✓	✓	✓	✓
	DIN-6	He	Helium	W21,8x1/14" RH	A		✓		✓			✓	✓		✓		✓	✓
	DIN-9	He	Helium	G3/4" RH	A					✓								
	DIN-10	He	Helium	W24,32x1/14" RH	A											✓		
	DIN-6	N2	Nitrogen	W21,8x1/14" RH	A							✓						
	DIN-10	N2	Nitrogen	W24,32x1/14" RH	A		✓		✓				✓		✓	✓	✓	✓
	DIN-6	N2O	Nitrous Oxide	W21,8x1/14" RH	A											✓		
	DIN-11	N2O	Nitrous Oxide	G3/8" RH	A		✓		✓									
	DIN-6	O2	Oxygen	W21,8x1/14" RH	A					✓		✓	✓		✓		✓	✓
DIN-9	O2	Oxygen	G3/4" RH	A	✓	✓		✓	✓									
DIN-13	O2	Oxygen	G5/8" RH	B	✓										✓			



