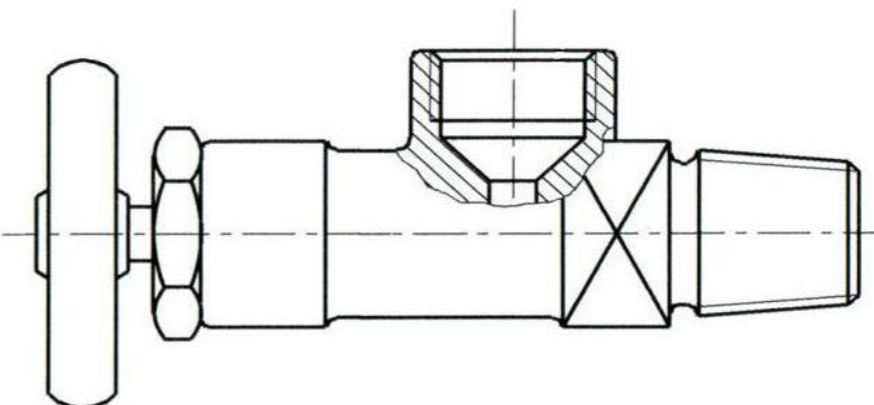
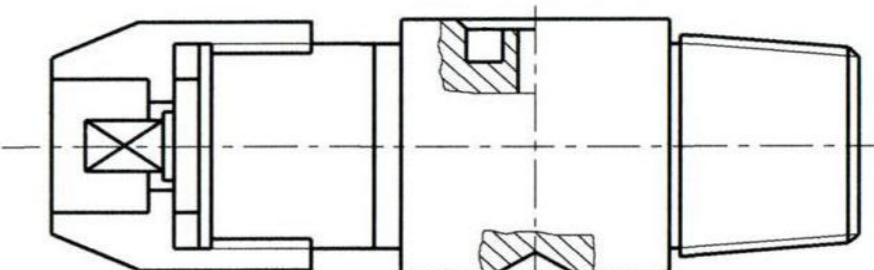


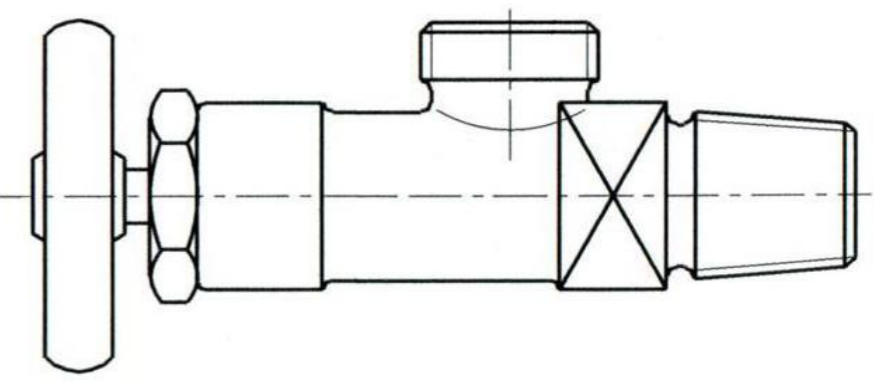
		IT	FR	DE	GB	
						
GAS	STANDARD					
1	ACETYLENE C2H2	EXIT	7F	H	4	4
		DIMENSION	G 5/8" LH	W 22,91 x 1,814 LH	G 3/8" LH	G 5/8" LH
		STANDARD	UNI 11144	NF E 29-650	DIN 477	BS 341
		VALVE TYPE	B	B	A	B
2	ACETYLENE (BRACKET) C2H2	EXIT	7S	A	3	
		DIMENSION	∅ 20 x ∅ 10 bracket	Bracket	Bracket	
		STANDARD	UNI 11144	NF E 29-650	DIN 477	
		VALVE TYPE	C	C	C	
3	AMMONIA NH3	EXIT	3	C	6	10
		DIMENSION	W 30 x 1/14" LH	SI 21,7 x 1,814	W 21,80 x 1/14"	G 1/2"
		STANDARD	UNI 11144	NF E 29-650	DIN 477	BS 341
		VALVE TYPE	A	A	A	A
4	INDUSTRIAL CARBON DIOXIDE CO2	EXIT	2	C	6	8
		DIMENSION	W 21,7 x 1/14"	SI 21,7 x 1,814	W 21,80 x 1/14"	0,860" x 1/14"
		STANDARD	UNI 11144	NF E 29-650	DIN 477	BS 341
		VALVE TYPE	A	A	A	A
5	MEDICAL CARBON DIOXIDE CO2	EXIT	10	C	6	8
		DIMENSION	W 27 x 2	SI 21,7 x 1,814	W 21,80 x 1/14"	0,860" x 1/14"
		STANDARD	UNI 11144 - ISO 5145	NF E 29-650	DIN 477	BS 341
		VALVE TYPE	A	A	A	A
6	NITROGEN N2	EXIT	5	C	10	3
		DIMENSION	W 21,7 x 1/14"	SI 21,7 x 1,814	W 24,32 x 1/14"	G 5/8"
		STANDARD	UNI 11144	NF E 29-650	DIN 477	BS 341
		VALVE TYPE	B	A	A	B
7	ARGON Ar	EXIT	8	C	6	3
		DIMENSION	W 24,51 x 1/14"	SI 21,7 x 1,814	W 21,80 x 1/14"	G 5/8"
		STANDARD	UNI 11144	NF E 29-650	DIN 477	BS 341
		VALVE TYPE	B	A	A	B
8	HELIUM	EXIT	8	C	6	3
		DIMENSION	W 24,51 x 1/14"	SI 21,7 x 1,814	W 21,80 x 1/14"	G 5/8"
		STANDARD	UNI 11144	NF E 29-650	DIN 477	BS 341
		VALVE TYPE	B	A	A	B
9	HYDROGEN	EXIT	1H	E	1	4
		DIMENSION	W 20 x 1/14" LH	SI 21,7 x 1,814 LH	W 21,80 x 1/14" LH	G 5/8" LH
		STANDARD	UNI 11144	NF E 29-650	DIN 477	BS 341
		VALVE TYPE	A	A	A	B
10	INDUSTRIAL AIR	EXIT	6	B	13	3
		DIMENSION	W 30 x 1/14"	SI 30 x 1,75	G 5/8"	G 5/8"
		STANDARD	UNI 11144	NF E 29-650	DIN 477	BS 341
		VALVE TYPE	A	A	B	B
11	MEDICAL AIR	EXIT	6	D	13	3
		DIMENSION	W 30 x 1/14"	W 24 x 2	G 5/8"	G 5/8"
		STANDARD	UNI 11144	NF E 29-650	DIN 477	BS 341
		VALVE TYPE	A	A	B	B
12	METHANE CH4	EXIT	1H	E	1	4
		DIMENSION	W 20 x 1/14" LH	SI 21,7 x 1,814 LH	W 21,80 x 1/14" LH	G 5/8" LH
		STANDARD	UNI 11144	NF E 29-650	DIN 477	BS 341
		VALVE TYPE	A	A	A	B
13	OXYGEN O2	EXIT	2	F	9	3
		DIMENSION	W 21,7 x 1/14"	SI 22,91 x 1,814	G 3/4"	G 5/8"
		STANDARD	UNI 11144	NF E 29-650	DIN 477	BS 341
		VALVE TYPE	A	B	A	B
14	PROPANE C3H8	EXIT	1P	E	1	4
		DIMENSION	W 20 x 1/14" LH	SI 21,7 x 1,814 LH	W 21,80 x 1/14" LH	G 5/8" LH
		STANDARD	UNI 11144	NF E 29-650	DIN 477	BS 341
		VALVE TYPE	A	A	A	B
15	NITROUS OXIDE N2O	EXIT	9	G	11	13
		DIMENSION	G 3/8"	SI 26 x 1,5	G 3/8"	11/16" x 1/20"
		STANDARD	UNI 11144	NF E 29-650	DIN 477	BS 341
		VALVE TYPE	A	B	A	
16	GAS TEST	EXIT			14	
		DIMENSION			M 19 x 1,5 LH	
		STANDARD			DIN 477	
		VALVE TYPE			A	



VALVE TYPE  
**B**



VALVE TYPE  
**C**



VALVE TYPE  
**A**

**TO CHOOSE THE CORRECT INLET FOR THE REGULATOR YOU MUST SELECT ONE OF THE INITIALS (IT~GB) FOR THE COUNTRY AND ONE OF THE NUMBERS (1~16) FOR THE GASES (EX. FR6 FOR FRENCH NITROGEN)**



**BEHRINGER**

Behringer s.r.l.

Via Gualco 4, 16165 Genoa ITALY  
Tel. +39 010 8309103 (r.a.)  
Fax +39 010 8309183  
VAT no. 01167840998

Share Capital euro 102.000,00 = fully paid in - Tax Code and Genoa Register of business No.01167840998 - Economic and Administrative Index (Rea) n. 389592

