



Medical gas devices


 Organismo Notificato n. 0476
 Notified Body nr. 0476

BS 5682 probe

Product description



The BS coupling complies with BS 5682; through the graft it is possible to withdraw the desired medicinal gas from the medical-hospital system; each differs in size in such a way as to prevent interchangeability and therefore allows the assignment of each individual coupling to the respective corresponding gas outlet.

All materials are compatible with oxygen, supplied clean and free of traces of oil, grease or dust.

Normatives

UNI EN ISO 9170-1 | BS 5682 | UNI EN ISO 15001

Components

Body in chemically nickel-plated brass specific for each gas.
 Marking of the type of gas on the body.

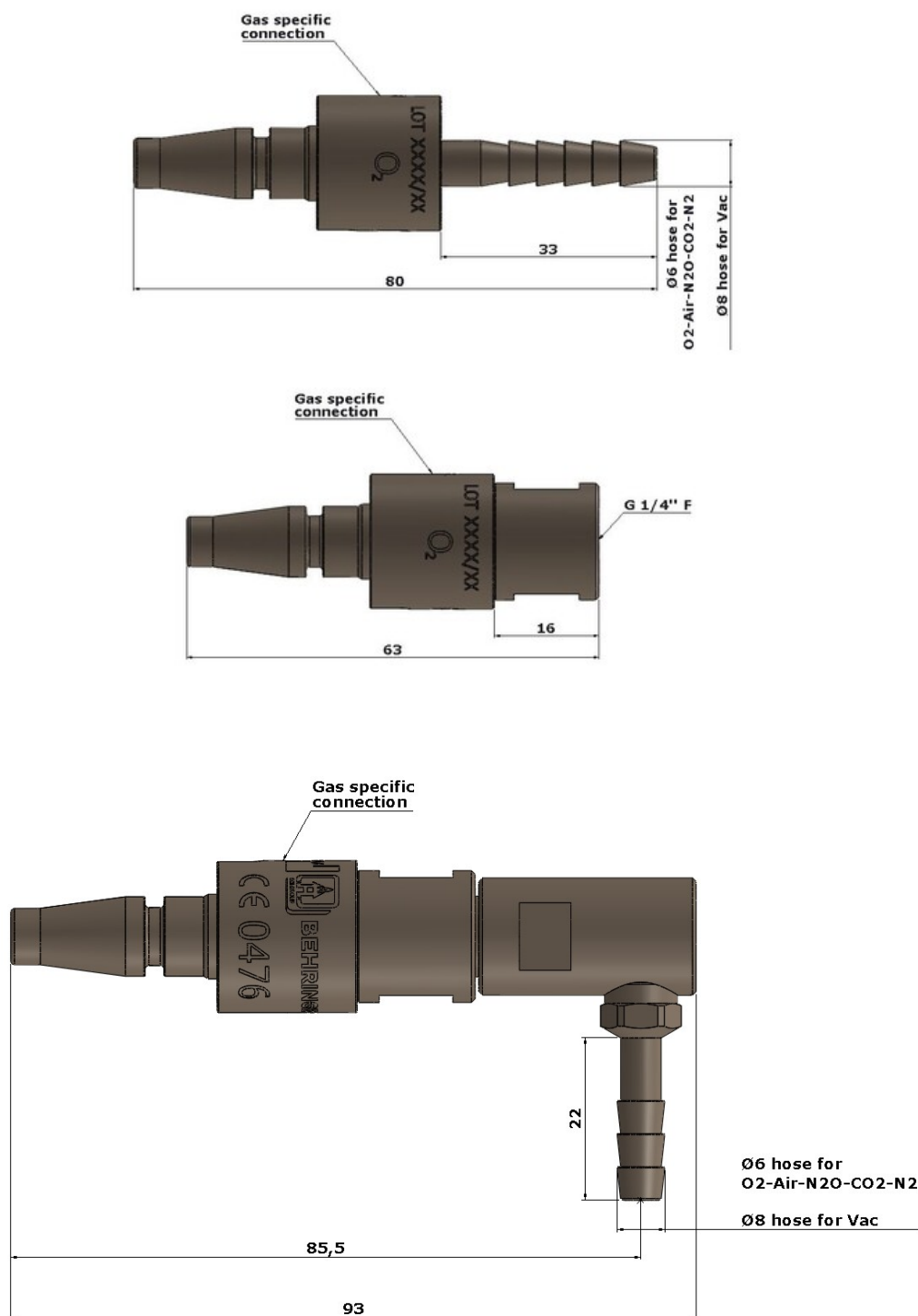
Technical data

CODE	GAS	OUTLET	CONNECTION	WEIGHT
HI044	O ₂	In line	G1/4" F R	0.08 kg
HI045	Air	In line	G1/4" F R	0.08 kg
HI046	N ₂ O	In line	G1/4" F R	0.08 kg
HI047	Vac	In line	G1/4" F R	0.08 kg
HI048	Air- 800	In line	G1/4" F R	0.08 kg
HI038	O ₂	In line	Hose connector Ø6 mm	0.06 kg
HI039	Air	In line	Hose connector Ø6 mm	0.06 kg
HI040	N ₂ O	In line	Hose connector Ø6 mm	0.06 kg
HI041	Vac	In line	Hose connector Ø8 mm	0.06 kg
HI042	Air- 800	In line	Hose connector Ø6 mm	0.06 kg
HI038A	O ₂	90° elbow	Hose connector Ø6 mm	0.13 kg
HI039A	Air	90° elbow	Hose connector Ø6 mm	0.13 kg
HI040A	N ₂ O	90° elbow	Hose connector Ø6 mm	0.13 kg

Technical data

CODE	GAS	OUTLET	CONNECTION	WEIGHT
HI041A	Vac	90° elbow	Hose connector Ø8 mm	0.13 kg
HI042A	Air- 800	90° elbow	Hose connector Ø6 mm	0.13 kg

Technical Images



Behringer S.r.l. via Gualco 4, 16165 Genova ITALY

T +39 010 8309103

F +39 010 8309183

e-mail info@behringer.it

C.F. e P.I. 01167840998