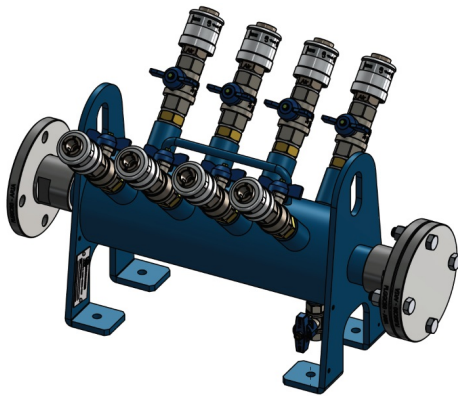


Marine and industrial plant engineering



Polmone per aria compressa

Product description

The air tank allows the distribution of the compressed air fluid to eight end users that can work simultaneously and without distinction; it is made of blue painted galvanized iron, it has flanged inlet and outlet connections with 4-hole swivel flanges, while each user is equipped with an interception ball valve with automatic downstream line purge and fast connection of the BH80 series. For the elimination of the condensate there is a miniball valve installed in the lower part to make it easier to drain the water.

Normatives

UNI EN ISO 9539 | UNI EN 560

Components

- N ° 1 tank in galvanized iron;
- N ° 8 3/4" ball valves with automatic line purge;
- N ° 8 BH AIR 80 sockets;
- N ° 1 1/4" miniball valve for condensate drainage;
- N ° 2 revolving 4-hole flanges for connection to the line.

Technical data

CODE	GAS	COLOR	QUICK CONNECTION	WEIGHT
QJC005	AIR	BLUE	BH AIR 80	25 kg

