



Medical gas devices

LEAF SOCKET - BS 5682


 Organismo Notificato n. 0476
 Notified Body nr. 0476

Product description



The new LEAF BS terminal units in agreement to BS 5682 meets the requirements of functionality, security, innovation and design; the socket has a brass body and a male clutch locking system with steel balls; the coupling flange with the base is adjustable to be able to position the terminal in the desired orientation; the fixing on the base block is simple and it has quick maintenance thanks to the change of one single pre-assembled cartridge; thanks to the incorporated NFC system, traceability is facilitated and the management of maintenance thanks to the MyBehringer App to be installed on your smartphone.

Normatives

UNI EN ISO 9170-1 | UNI CEI EN ISO 13485 | BS 5682 | UNI EN ISO 15001

Components

- Socket and base made of CW614N chemically nickel-plated brass.
- Release ring nut.
- Stainless steel springs.
- EPDM perox O-Ring.

Maintenance kit

CODE	GAS	DESCRIPTION
HK210BS11	ALL	MAINTENANCE CARTRIDGE LEAF BS

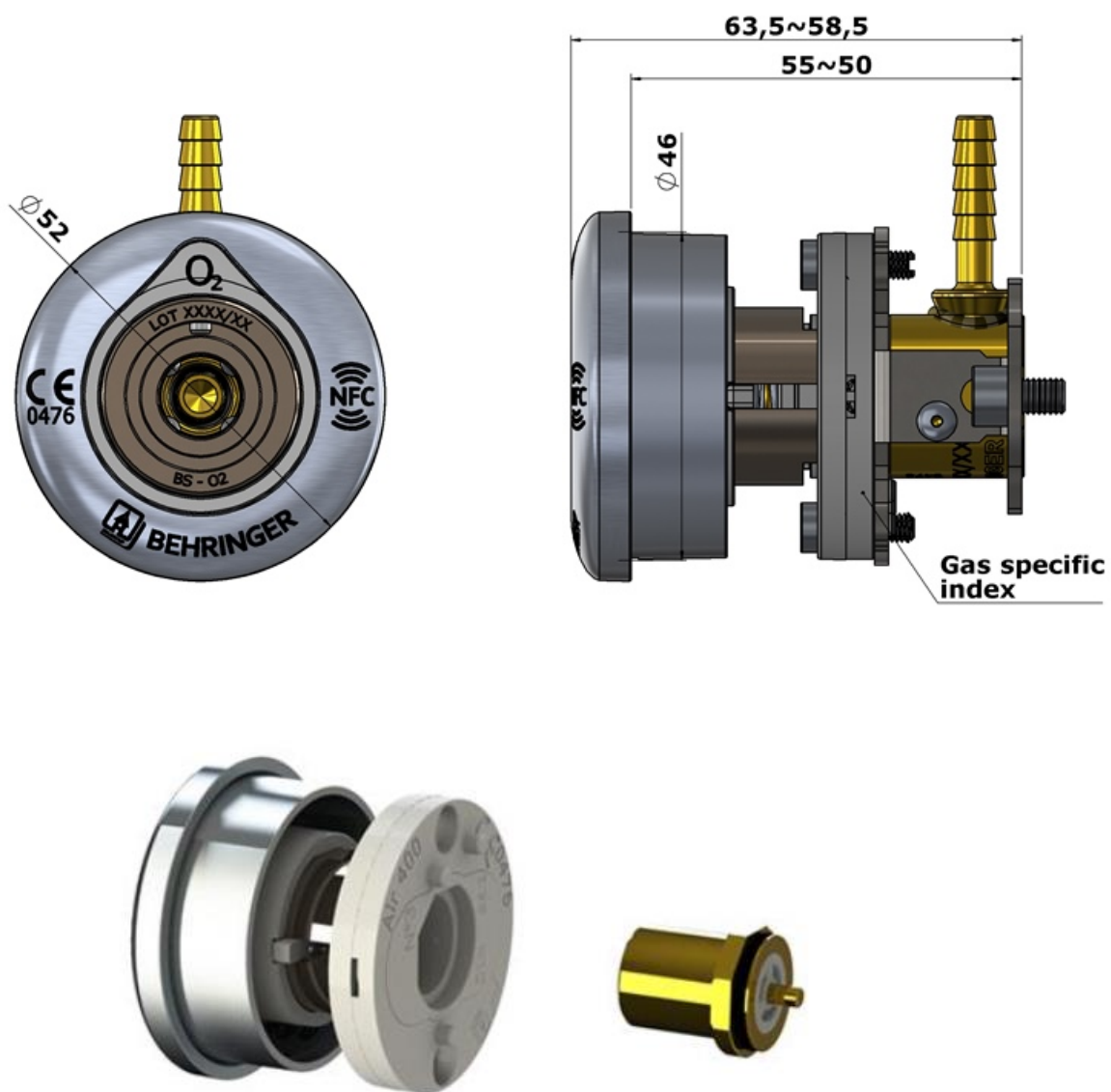
Technical data

CODE	GAS	FLOW RATE	MAXIMUM PERESSURE DROP	WEIGHT
HP301BSA4BEH	Air	40 l/min	0,15 bar	0.13 kg
HP301BSA8BEH	Air-800	350 l/min	0,70 bar	0.13 kg
HP301BSM1BEH	MixO ₂ /N ₂ O	40 l/min	0,15 bar	0.13 kg
HP301BSNOBEH	N ₂ O	40 l/min	0,15 bar	0.13 kg

Technical data

CODE	GAS	FLOW RATE	MAXIMUM PERESSURE DROP	WEIGHT
HP301BSOXBEH	O ₂	40 l/min	0,15 bar	0.13 kg
HP301BSVABEH	Vac	25 l/min	0,15 bar	0.13 kg

Technical Images



Sistema di manutenzione rapido/ easy maintenance system

Behringer S.r.l. via Gualco 4, 16165 Genova ITALY

T +39 010 8309103

F +39 010 8309183

e-mail info@behringer.it

C.F. e P.I. 01167840998