


 Organismo Notificato n. 0476  
 Notified Body nr. 0476

## LEAF SOCKET - SS 8752430

### Product description



The new LEAF SS terminal units in agreement to SS 8752430 meets the requirements of functionality, security, innovation and design; the socket has a brass body and a male clutch locking system with steel balls; the coupling flange with the base is adjustable to be able to position the terminal in the desired orientation; the fixing on the base block is simple and it has quick maintenance thanks to the change of one single pre-assembled cartridge; thanks to the incorporated NFC system, traceability is facilitated and the management of maintenance thanks to the MyBehringer App to be installed on your smartphone.

### Normatives

UNI EN ISO 9170-1 | UNI EN ISO 15001 | SS 8752430

### Components

Socket and base made of CW614N chemically nickel-plated brass.  
 Release ring nut.  
 Stainless steel springs.  
 EPDM perox O-Ring.

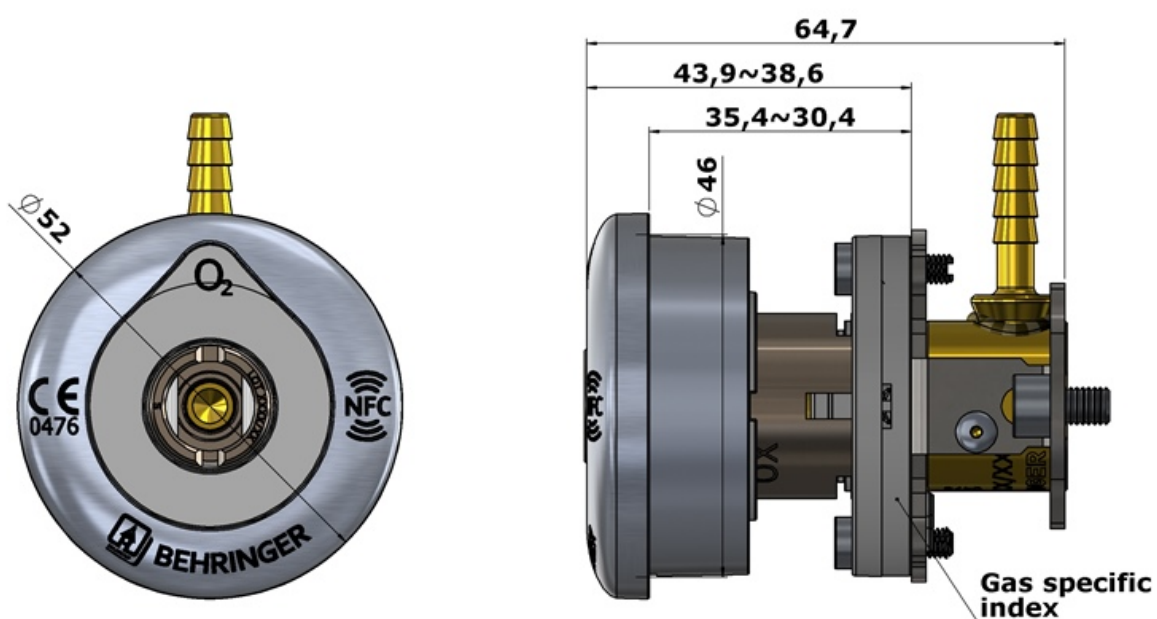
### Maintenance kit

CODE	GAS	DESCRIPTION
HK210SS07	O <sub>2</sub> - Air - Air-800 - Ar - CO <sub>2</sub> - N <sub>2</sub> O - O <sub>2</sub> /N <sub>2</sub> O	MAINTENANCE CARTRIDGE LEAF SS SOCKET diam. 7 - N ° 5
HK210SS09	Vac	MAINTENANCE CARTRIDGE LEAF SS SOCKET diam. 9 - N ° 6

## Technical data

CODE	GAS	FLOW RATE	MAXIMUM PRESSURE DROP	WEIGHT
HP301SSA4BEH	Air	40 l/min	0,15 bar	0.11 kg
HP301SSA8BEH	Air-800	350 l/min	0,70 bar	0.11 kg
HP301SSCDBEH	CO <sub>2</sub>	40 l/min	0,15 bar	0.11 kg
HP301SSM1BEH	Mix O <sub>2</sub> /N <sub>2</sub> O	40 l/min	0,15 bar	0.11 kg
HP301SSN4BEH	N <sub>2</sub>	40 l/min	0,15 bar	0.11 kg
HP301SSNOBEH	N <sub>2</sub> O	40 l/min	0,15 bar	0.11 kg
HP301SSOXBEH	O <sub>2</sub>	40 l/min	0,15 bar	0.11 kg
HP301SSVABEH	Vac	25 l/min	0,15 bar	0.11 kg

## Technical Images





Sistema di manutenzione rapido/ easy maintenance system