

# Marine and industrial plant engineering



## Nesplon 400

### Product description

The Nesplon 400 safety valve for high flowrate industrial gas lines performs three functions, flame arrestor, gas check and overpressure discharge in compliance with ISO 5175-1 standards. The Nesplon 400 valve comes with two 1" gas specific flanges and counter flanges. We recommend a full service of the Nesplon/400 valves in the case of a flashback, after 5 years from the date of installation and in any case after the time limit of 5 years plus 1 from the manufacturing date on the valve.

### Normatives

UNI EN ISO 9539 | UNI EN ISO 5175-1 | UNI 11627

### Components

- Galvanized steel body.
- AISI 316 sintered stainless steel flashback arrestor filter.
- CW614N brass gas check and overpressure discharge valve.
- Stainless steel springs.
- Aluminum and NBR body gaskets.
- FASIT 202 counter flange gaskets.

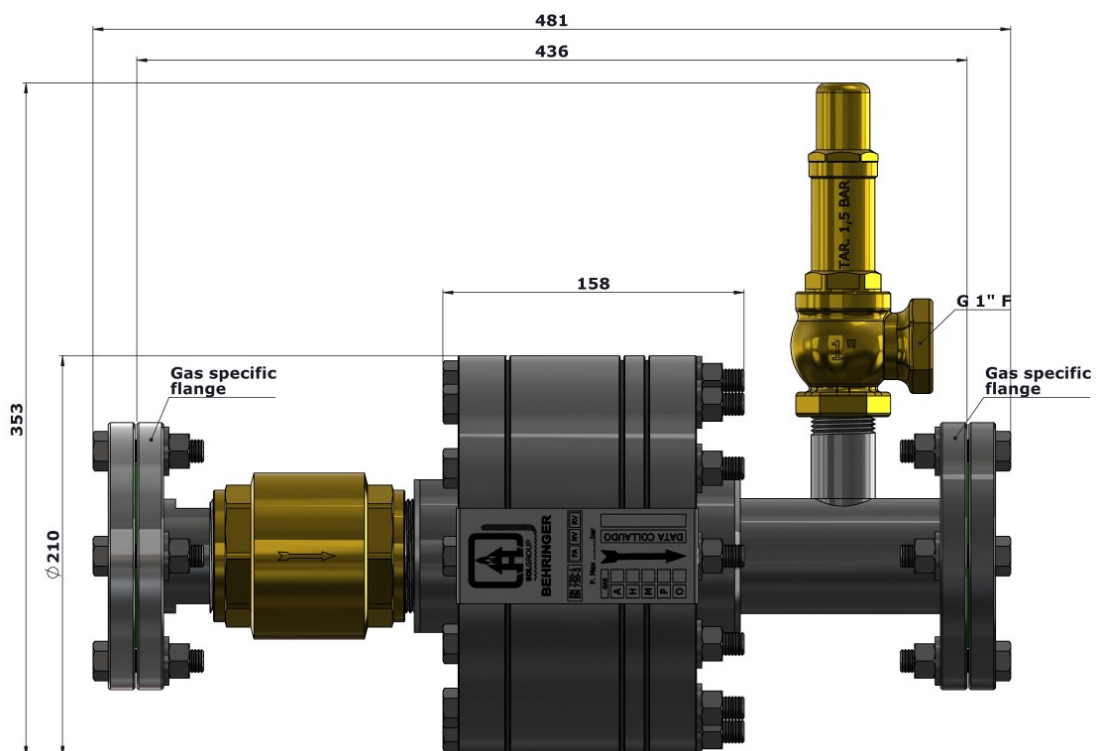
### Maintenance kit

CODE	DESCRIPTION
CK015	SPARE EQ NESPLON/400
CV020	OVERPRESSURE VALVE 3/4" F TAR. 1,5BAR
CV023	OVERPRESSURE VALVE 3/4" F TAR. 4BAR
CV024	OVERPRESSURE VALVE 3/4" F TAR. 16BAR

## Technical data

CODE	GAS	P overpressure	Q max.
VN400O1	OXYGEN	16 bar	400 m <sup>3</sup> /h
VN400G1	FUELS	4 bar	150 m <sup>3</sup> /h
VN400A1	ACETYLEN	1,5 bar	30 m <sup>3</sup> /h

## Technical Images



Behringer S.r.l. via Gualco 4, 16165 Genova ITALY

T +39 010 8309103

F +39 010 8309183

e-mail [info@behringer.it](mailto:info@behringer.it)

C.F. e P.I. 01167840998