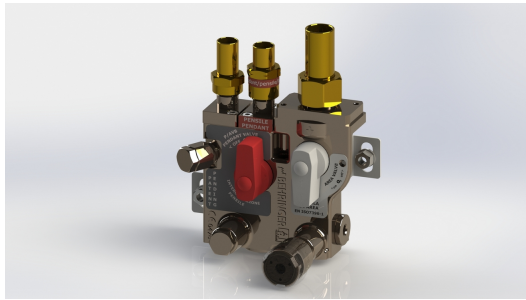




Medical gas devices



P/AVB area valves

Product description



The P/AVB area valve is developed to meet the safety requirements of Standard 7396-1 and at the same time guarantee notable savings in terms of the time required for installation and building work, to achieve this we managed to combine the pendant shut-off valve with the area valve; the area valve can be

fitted with a valve status sensor. The valve also has an emergency inlet and a block for physical disconnection. An optional pressure gauge, or a pressure gauge with electrical contacts can be installed.

Normatives

UNI EN ISO 7396-1 | NF S 90-116 | UNI 9507 | DIN 13260-2 | BS 5682 | UNI EN ISO 15001

Components

- N.One body made of CW614N chemically nickel-plated brass.
- N.One Ø 16 mm inlet pipe connector.
- N.One Ø 12 mm outlet pipe connector.
- N.One Ø 12 mm outlet pipe connector for pendant.
- N.One inlet shut-off ball valve.
- N.One pendant shut-off ball valve.
- N.One emergency socket.
- N.One physical disconnection.
- N.2 seats with thread retention. G1/4"
- PTFE shut-off valve gaskets.
- EPDM PEROX O-Ring.

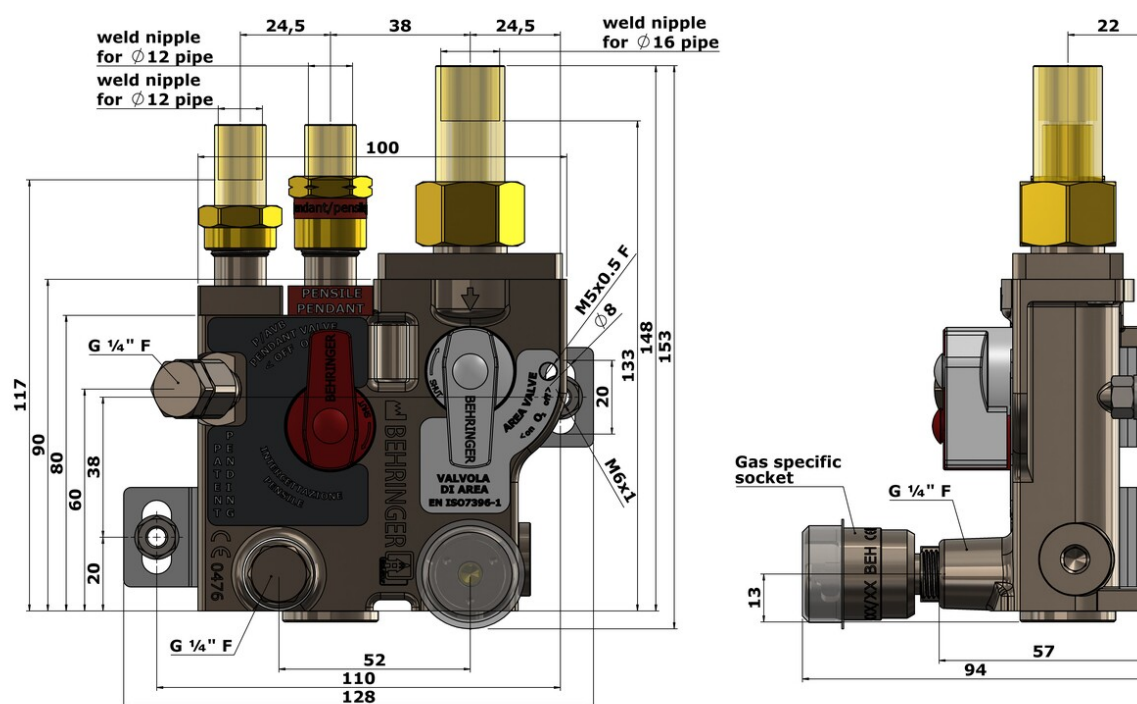
Technical data

CODE	GAS	TYPE	Ø INLET - OUTLET	WEIGHT
HG1700XPEAFN	O ₂	AFNOR NF S 90-116	16 mm - 12 mm/12 mm	2,1 kg
HG1700XPENST	O ₂	NIST ISO 18082	16 mm - 12 mm/12 mm	2,1 kg
HG1700XPEDIN	O ₂	DIN 13260-2	16 mm - 12 mm/12 mm	2,1 kg
HG1700XPEUNI	O ₂	UNI 9507	16 mm - 12 mm/12 mm	2,1 kg
HG170NOPEAFN	N ₂ O	AFNOR NF S 90-116	16 mm - 12 mm/12 mm	2,1 kg
HG170NOPENST	N ₂ O	NIST ISO 18082	16 mm - 12 mm/12 mm	2,1 kg

Technical data

CODE	GAS	TYPE	Ø INLET - OUTLET	WEIGHT
HG170NOPEDIN	N ₂ O	DIN 13260-2	16 mm - 12 mm/12 mm	2,1 kg
HG170NOPEUNI	N ₂ O	UNI 9507	16 mm - 12 mm/12 mm	2,1 kg
HG170A4PEAFN	Air 400	AFNOR NF S 90-116	16 mm - 12 mm/12 mm	2,1 kg
HG170A4PENST	Air 400	NIST ISO 18082	16 mm - 12 mm/12 mm	2,1 kg
HG170A4PEDIN	Air 400	DIN 13260-2	16 mm - 12 mm/12 mm	2,1 kg
HG170A4PEUNI	Air 400	UNI 9507	16 mm - 12 mm/12 mm	2,1 kg
HG170A8PEAFN	Air 800	AFNOR NF S 90-116	16 mm - 12 mm/12 mm	2,1 kg
HG170A8PEUNI	Air 800	UNI 9507	16 mm - 12 mm/12 mm	2,1 kg
HG170A8PENST	Air 800	NIST ISO 18082	16 mm - 12 mm/12 mm	2,1 kg
HG170CDPEAFN	CO ₂	AFNOR NF S 90-116	16 mm - 12 mm/12 mm	2,1 kg
HG170CDPEDIN	CO ₂	DIN 13260-2	16 mm - 12 mm/12 mm	2,1 kg
HG170CDPEUNI	CO ₂	UNI 9507	16 mm - 12 mm/12 mm	2,1 kg
HG170CDPENST	CO ₂	NIST ISO 18082	16 mm - 12 mm/12 mm	2,1 kg
HG170N4PEAFN	N ₂	AFNOR NF S 90-116	16 mm - 12 mm/12 mm	2,1 kg
HG170N4PEUNI	N ₂	UNI 9507	16 mm - 12 mm/12 mm	2,1 kg
HG170VAPE	Vac	SENZA PRESA	16 mm - 12 mm/12 mm	2,1 kg

Technical Images



Behringer S.r.l. via Gualco 4, 16165 Genova ITALY

T +39 010 8309103

F +39 010 8309183

e-mail info@behringer.it

C.F. e P.I. 01167840998