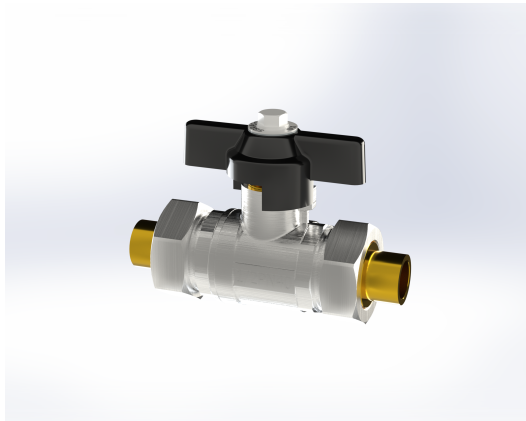




# Medical gas devices



## Shut-off valve CE marked



Organismo Notificato n. 0476  
Notified Body nr. 0476

### Product description

Service shut-off valves are required to shut off each riser, branch and circuit of a medical gas and vacuum system. Each specific gas supply line must be shut off to complete maintenance or work downstream of the valve. Valve sizes range from 3/8" to 2" and the 3-piece weld-on pipe connectors at the outlets range from Ø 10 mm to Ø 54 mm. On the Ø 3/4" valves and larger, the 3-piece connectors are fitted with O-Rings to provide the best seal under pressure. All materials are oxygen compatible, supplied clean and free of any traces of oil, grease or dust.

## Normatives

UNI EN ISO 7396-1 | UNI EN ISO 15001

## Components

- N.1 ball valve with butterfly lever.
- N.2 3-piece brass connectors

## Technical data

CODE	VALVE SIZE	Ø PIPE	P. max	WEIGHT
H0670B	3/8"	10 mm	63 bar	0,50 kg
H0671	3/8"	12 mm	63 bar	0,50 kg
H0672C	1/2"	14 mm	50 bar	0,60 kg
H0672B	1/2"	15 mm	50 bar	0,60 kg
H0672	1/2"	16 mm	50 bar	0,60 kg
H0672A	1/2"	18 mm	50 bar	0,60 kg
H0674	3/4"	22 mm	50 bar	0,90 kg
H0676	1"	28 mm	45 bar	1,00 kg
H0677	1" 1/4	35 mm	30 bar	3,00 kg
H0678	1" 1/2	42 mm	25 bar	4,00 kg
H0679	2"	54 mm	20 bar	7,00 kg
H1213	3/8"	IN 12 mm - OUT PG.Ø6	63 bar	0,40 kg
H1214	3/8"	IN 12 mm - OUT PG.Ø8	63 bar	0,40 kg

## Technical data

CODE

VALVE SIZE

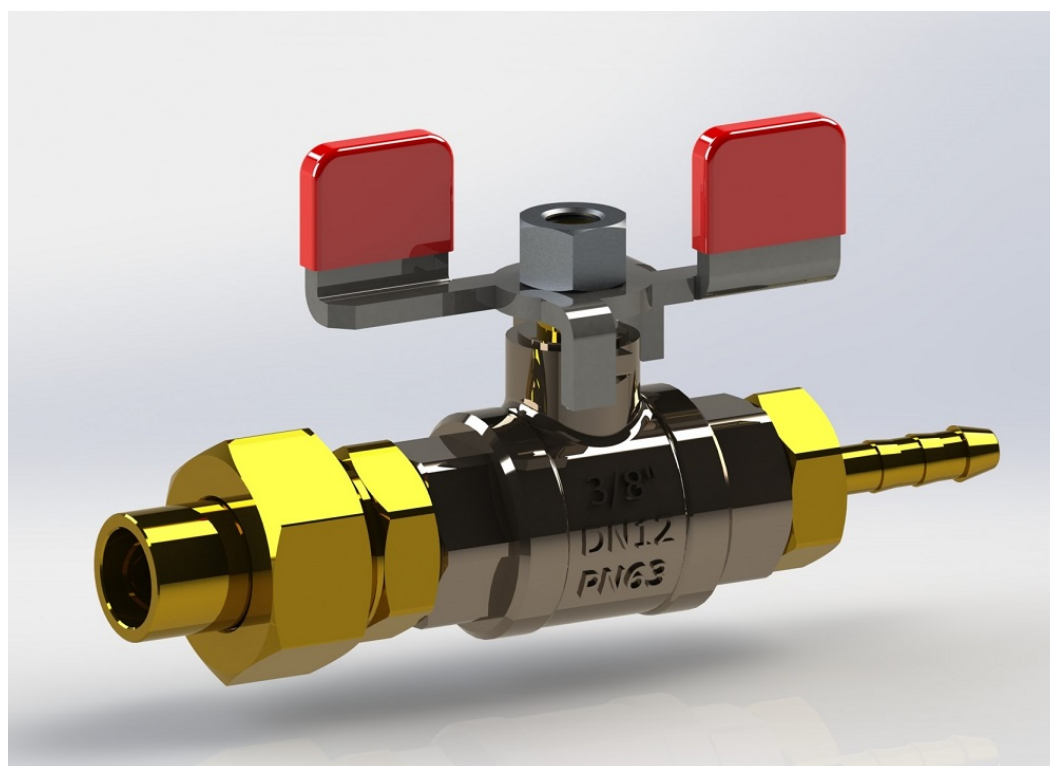
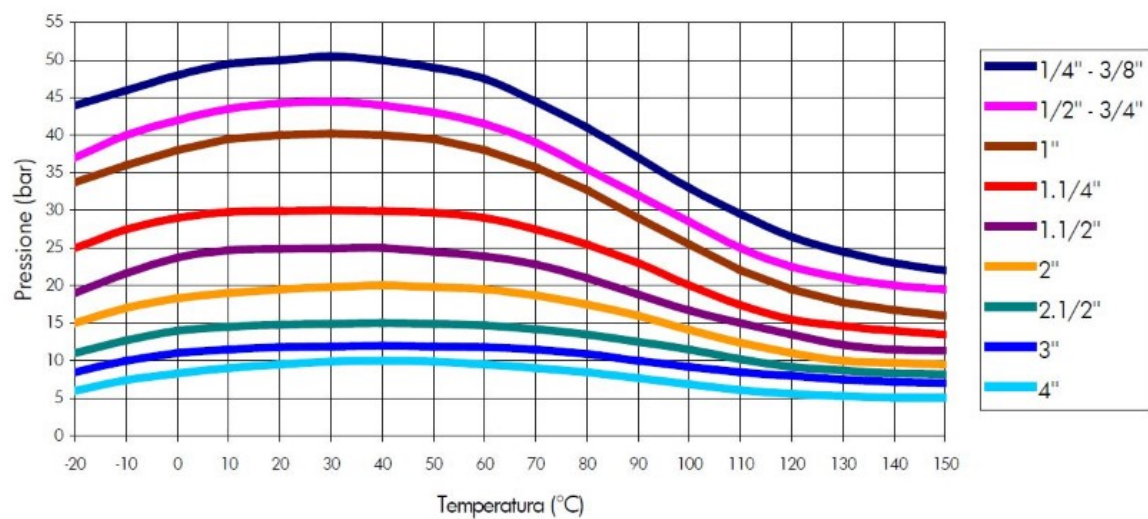
Ø PIPE

P. max

WEIGHT

## Technical Images

DIAGRAMMA PRESSIONE/TEMPERATURA



Behringer S.r.l. via Gualco 4, 16165 Genova ITALY

T +39 010 8309103

F +39 010 8309183

e-mail [info@behringer.it](mailto:info@behringer.it)

C.F. e P.I. 01167840998