



UNI 9507 PROBE


 Organismo Notificato n. 0476
 Notified Body nr. 0476

Product description



The UNI probe complies with UNI 9507 standards; the probe can be used to supply the desired medical gas from the clinic-hospital system. Each probe is a different size so they cannot be swapped and each individual probe can be assigned to the corresponding gas take-off. All materials are oxygen compatible, supplied clean and free of any traces of oil, grease or dust.

Normatives

UNI EN ISO 9170-1 | UNI 9507 | UNI EN ISO 15001

Components

Body made of CW617N chemically nickel-plated brass.
 Specific label for each gas.

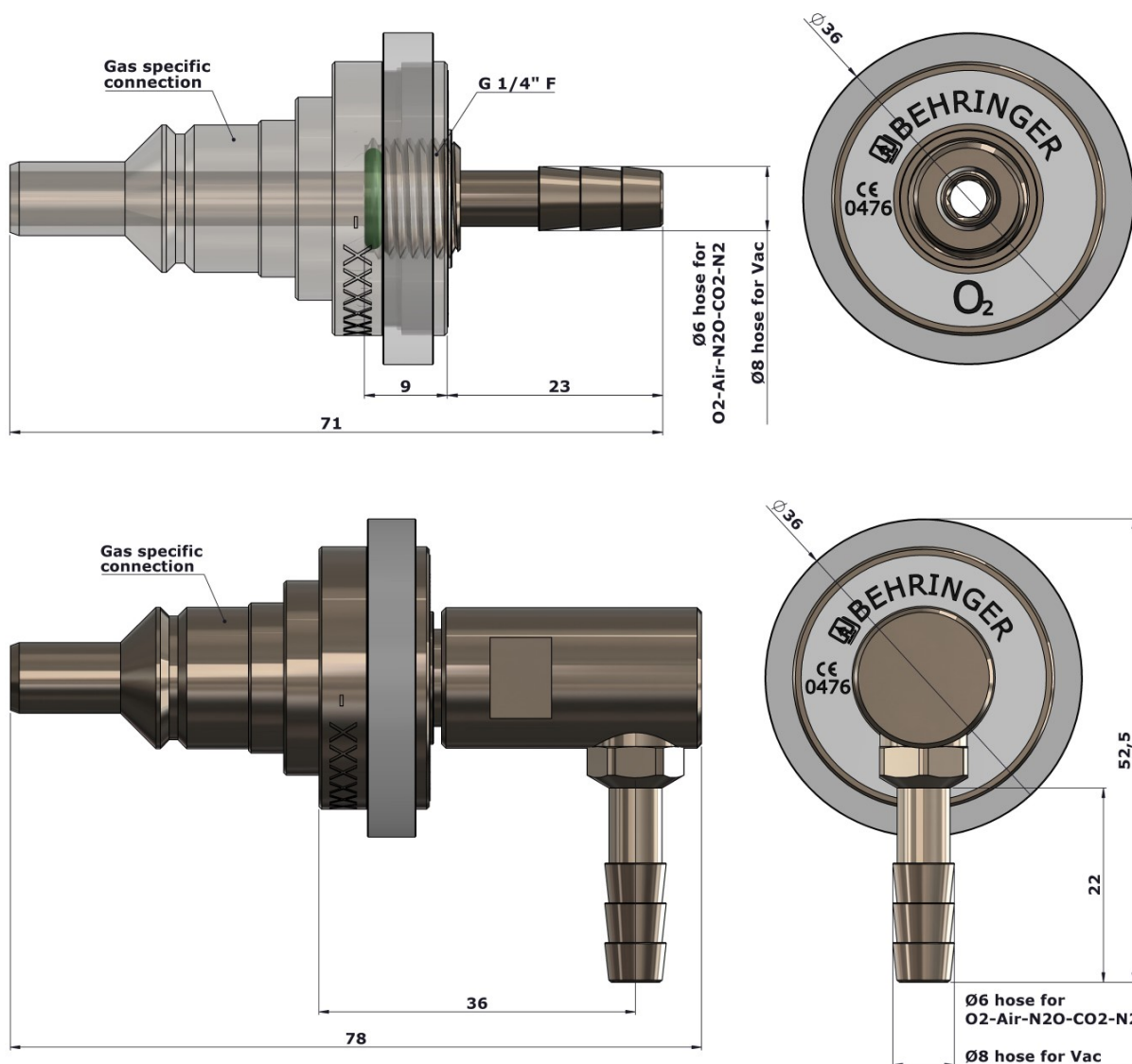
Technical data

CODE	GAS	OUTLET	CONNECTION	WEIGHT
HI010	O ₂	In line	Hose connector Ø6 mm	0.12 kg
HI011	Air	In line	Hose connector Ø6 mm	0.12 kg
HI012	Vac	In line	Hose connector Ø8 mm	0.12 kg
HI013	N ₂ O	In line	Hose connector Ø6 mm	0.12 kg
HI014	N ₂ 800	In line	Hose connector Ø6 mm	0.12 kg
HI014A	CO ₂	In line	Hose connector Ø6 mm	0.12 kg
HI014B	N ₂ 400	In line	Hose connector Ø6 mm	0.12 kg
HI026	O ₂	90°	Hose connector Ø6 mm	0.16 kg
HI027	Air	90°	Hose connector Ø6 mm	0.16 kg
HI028	Vac	90°	Hose connector Ø8 mm	0.16 kg
HI029	N ₂ O	90°	Hose connector Ø6 mm	0.16 kg
HI029A	Air- 800	90°	Hose connector Ø6 mm	0.16 kg

Technical data

CODE	GAS	OUTLET	CONNECTION	WEIGHT
HI030	CO ₂	90°	Hose connector Ø6 mm	0.16 kg
HI031	N ₂ 400	90°	Hose connector Ø6 mm	0.16 kg
HI015	O ₂	In line	G1/4" F R	0.11 kg
HI015A	Air	In line	G1/4" F R	0.11 kg
HI016	Vac	In line	G1/4" F R	0.11 kg
HI016A	N ₂ O	In line	G1/4" F R	0.11 kg
HI016B	Air- 800	In line	G1/4" F R	0.11 kg
HI016C	CO ₂	In line	G1/4" F R	0.11 kg

Technical Images



Behringer S.r.l. via Gualco 4, 16165 Genova ITALY

T +39 010 8309103

F +39 010 8309183

e-mail info@behringer.it

C.F. e P.I. 01167840998