



Medical gas devices

LEAF SOCKET - SS 8752430



Organismo Notificato n. 0476
Notified Body nr. 0476

Product description



The new LEAF SS terminal units in agreement to SS 8752430 meets the requirements of functionality, security, innovation and design; the socket has a brass body and a male clutch locking system with steel balls; the coupling flange with the base is adjustable to be able to position the terminal in the desired orientation; the fixing on the base block is simple and it has quick maintenance thanks to the change of one single pre-assembled cartridge; thanks to the incorporated NFC system, traceability is facilitated and the management of maintenance thanks to the MyBehringer App to be installed on your smartphone.

Normatives

UNI EN ISO 9170-1 | UNI EN ISO 15001 | SS 8752430

Components

Socket and base made of CW614N chemically nickel-plated brass.
Release ring nut.
Stainless steel springs.
EPDM perox O-Ring.

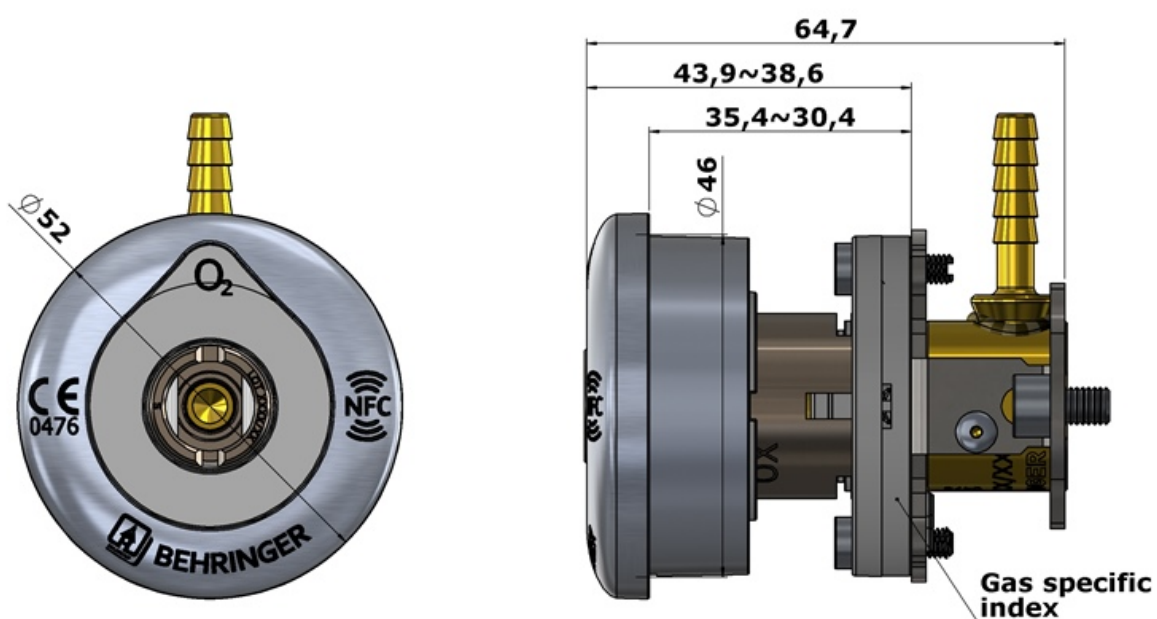
Maintenance kit

CODE	GAS	DESCRIPTION
HK210SS07	O ₂ - Air - Air-800 - Ar - CO ₂ - N ₂ O - O ₂ /N ₂ O	MAINTENANCE CARTRIDGE LEAF SS SOCKET diam. 7 - N ° 5
HK210SS09	Vac	MAINTENANCE CARTRIDGE LEAF SS SOCKET diam. 9 - N ° 6

Technical data

CODE	GAS	FLOW RATE	MAXIMUM PRESSURE DROP	WEIGHT
HP301SSA4BEH	Air	40 l/min	0,15 bar	0.11 kg
HP301SSA8BEH	Air-800	350 l/min	0,70 bar	0.11 kg
HP301SSCDBEH	CO ₂	40 l/min	0,15 bar	0.11 kg
HP301SSM1BEH	Mix O ₂ /N ₂ O	40 l/min	0,15 bar	0.11 kg
HP301SSN4BEH	N ₂	40 l/min	0,15 bar	0.11 kg
HP301SSNOBEH	N ₂ O	40 l/min	0,15 bar	0.11 kg
HP301SSOXBEH	O ₂	40 l/min	0,15 bar	0.11 kg
HP301SSVABEH	Vac	25 l/min	0,15 bar	0.11 kg

Technical Images





Sistema di manutenzione rapido/ easy maintenance system