



# Medical gas devices

## LEAF SOCKET - NIST ISO 18082



Organismo Notificato n. 0476  
Notified Body nr. 0476

### Product description



The new LEAF NIST terminal units in agreement to the NIST standard meets the requirements of functionality, security, innovation and design; the socket has a brass body and a male clutch locking system with steel balls; the coupling flange with the base is adjustable to be able to position the terminal in the desired orientation; the fixing on the base block is simple and it has quick maintenance thanks to the change of one single pre-assembled cartridge; thanks to the incorporated NFC system, traceability is facilitated and the management of maintenance thanks to the MyBehringer App to be installed on your smartphone.

### Normatives

UNI EN ISO 9170-1 | UNI EN ISO 15001 | UNI EN ISO 18082

### Components

- Socket and base made of CW614N chemically nickel-plated brass.
- Release ring nut.
- Stainless steel springs.
- EPDM perox O-Ring

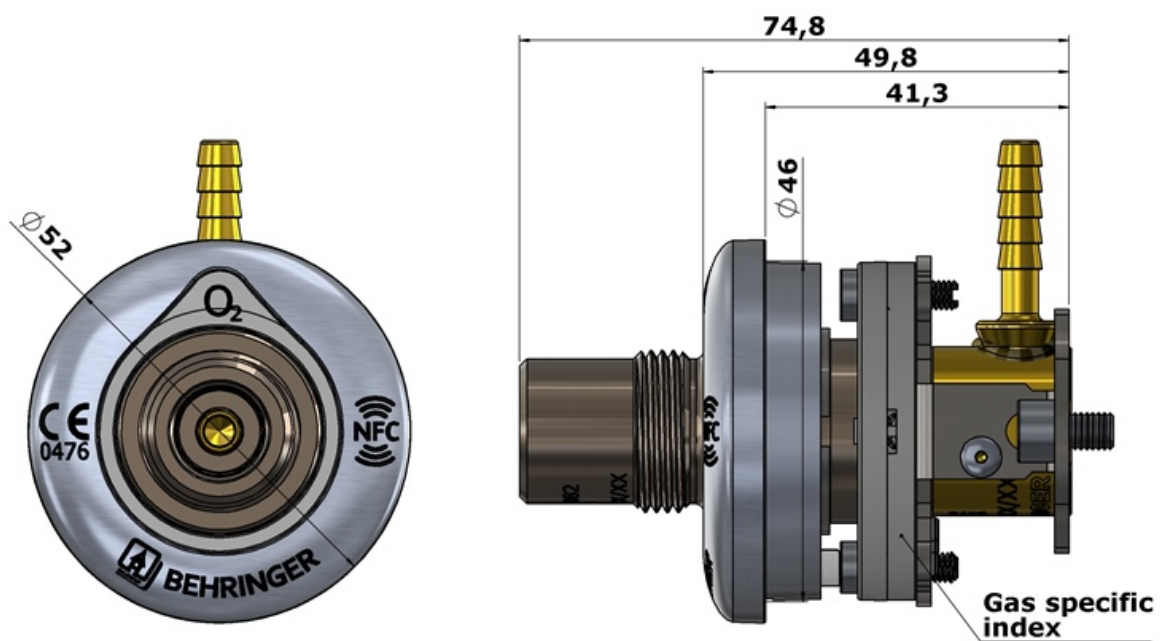
### Maintenance kit

CODE	GAS	DESCRIPTION
HK210NI00	All	MAINTENANCE CARTRIDGE NIST LEAF SOCKET - N ° 8

## Technical data

CODE	GAS	FLOW RATE	MAXIMUM PRESSURE DROP	WEIGHT
HP301NIA8BEH	Air-800	350 l/min	0,70 bar	0.16 kg

## Technical Images



Sistema di manutenzione rapido/ easy maintenance system

Behringer S.r.l. via Gualco 4, 16165 Genova ITALY

T +39 010 8309103

F +39 010 8309183

e-mail [info@behringer.it](mailto:info@behringer.it)

C.F. e P.I. 01167840998