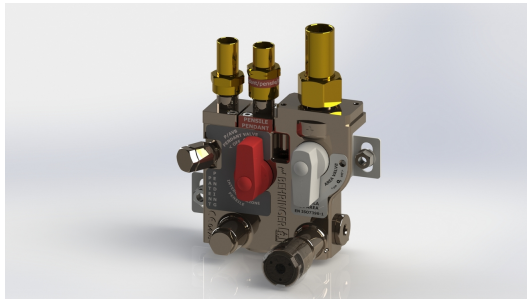




Medical gas devices



P/AVB area valves

Product description



The P/AVB area valve is developed to meet the safety requirements of Standard 7396-1 and at the same time guarantee notable savings in terms of the time required for installation and building work, to achieve this we managed to combine the pendant shut-off valve with the area valve; the area valve can be

fitted with a valve status sensor. The valve also has an emergency inlet and a block for physical disconnection. An optional pressure gauge, or a pressure gauge with electrical contacts can be installed.

Normatives

UNI EN ISO 7396-1 | NF S 90-116 | UNI 9507 | DIN 13260-2 | BS 5682 | UNI EN ISO 15001

Components

- N.One body made of CW614N chemically nickel-plated brass.
- N.One Ø 16 mm inlet pipe connector.
- N.One Ø 12 mm outlet pipe connector.
- N.One Ø 12 mm outlet pipe connector for pendant.
- N.One inlet shut-off ball valve.
- N.One pendant shut-off ball valve.
- N.One emergency socket.
- N.One physical disconnection.
- N.2 seats with thread retention. G1/4"
- PTFE shut-off valve gaskets.
- EPDM PEROX O-Ring.

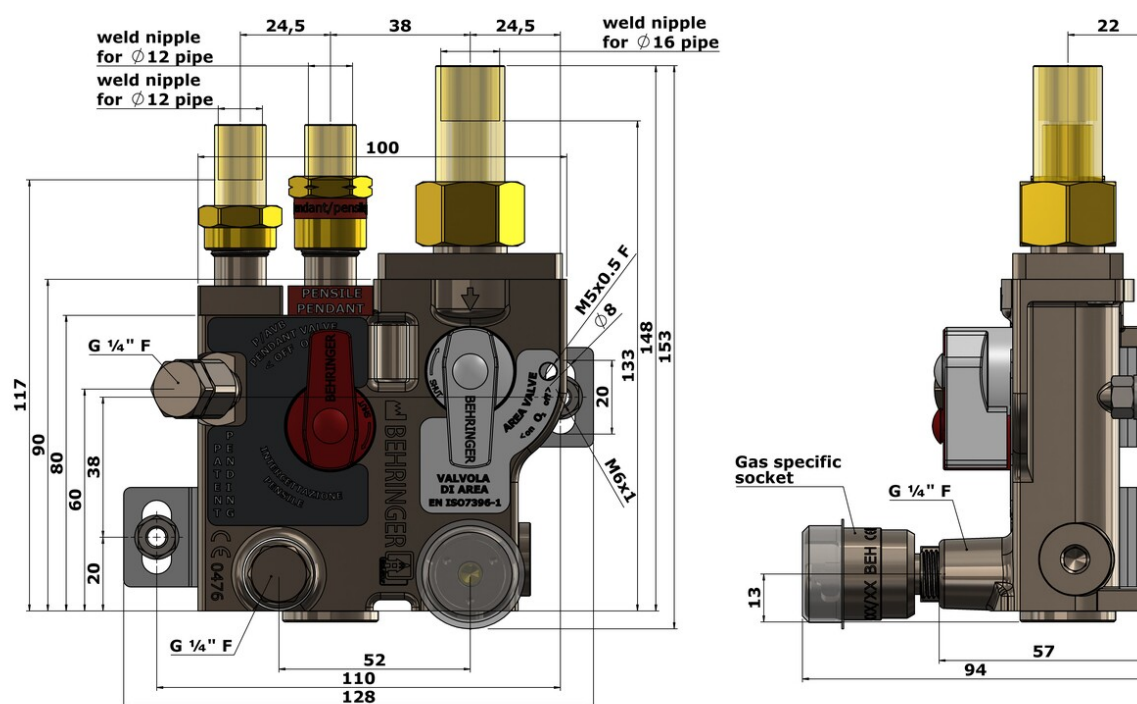
Technical data

| CODE | GAS | TYPE | Ø INLET - OUTLET | WEIGHT |
|--------------|------------------|-------------------|---------------------|--------|
| HG1700XPEAFN | O ₂ | AFNOR NF S 90-116 | 16 mm - 12 mm/12 mm | 2,1 kg |
| HG1700XPENST | O ₂ | NIST ISO 18082 | 16 mm - 12 mm/12 mm | 2,1 kg |
| HG1700XPEDIN | O ₂ | DIN 13260-2 | 16 mm - 12 mm/12 mm | 2,1 kg |
| HG1700XEUNI | O ₂ | UNI 9507 | 16 mm - 12 mm/12 mm | 2,1 kg |
| HG170NOPEAFN | N ₂ O | AFNOR NF S 90-116 | 16 mm - 12 mm/12 mm | 2,1 kg |
| HG170NOPENST | N ₂ O | NIST ISO 18082 | 16 mm - 12 mm/12 mm | 2,1 kg |

Technical data

| CODE | GAS | TYPE | Ø INLET - OUTLET | WEIGHT |
|--------------|------------------|-------------------|---------------------|--------|
| HG170NOPEDIN | N ₂ O | DIN 13260-2 | 16 mm - 12 mm/12 mm | 2,1 kg |
| HG170NOPEUNI | N ₂ O | UNI 9507 | 16 mm - 12 mm/12 mm | 2,1 kg |
| HG170A4PEAFN | Air 400 | AFNOR NF S 90-116 | 16 mm - 12 mm/12 mm | 2,1 kg |
| HG170A4PENST | Air 400 | NIST ISO 18082 | 16 mm - 12 mm/12 mm | 2,1 kg |
| HG170A4PEDIN | Air 400 | DIN 13260-2 | 16 mm - 12 mm/12 mm | 2,1 kg |
| HG170A4PEUNI | Air 400 | UNI 9507 | 16 mm - 12 mm/12 mm | 2,1 kg |
| HG170A8PEAFN | Air 800 | AFNOR NF S 90-116 | 16 mm - 12 mm/12 mm | 2,1 kg |
| HG170A8PEUNI | Air 800 | UNI 9507 | 16 mm - 12 mm/12 mm | 2,1 kg |
| HG170A8PENST | Air 800 | NIST ISO 18082 | 16 mm - 12 mm/12 mm | 2,1 kg |
| HG170CDPEAFN | CO ₂ | AFNOR NF S 90-116 | 16 mm - 12 mm/12 mm | 2,1 kg |
| HG170CDPEDIN | CO ₂ | DIN 13260-2 | 16 mm - 12 mm/12 mm | 2,1 kg |
| HG170CDPEUNI | CO ₂ | UNI 9507 | 16 mm - 12 mm/12 mm | 2,1 kg |
| HG170CDPENST | CO ₂ | NIST ISO 18082 | 16 mm - 12 mm/12 mm | 2,1 kg |
| HG170N4PEAFN | N ₂ | AFNOR NF S 90-116 | 16 mm - 12 mm/12 mm | 2,1 kg |
| HG170N4PEUNI | N ₂ | UNI 9507 | 16 mm - 12 mm/12 mm | 2,1 kg |
| HG170VAPE | Vac | SENZA PRESA | 16 mm - 12 mm/12 mm | 2,1 kg |

Technical Images



Behringer S.r.l. via Gualco 4, 16165 Genova ITALY

T +39 010 8309103

F +39 010 8309183

e-mail info@behringer.it

C.F. e P.I. 01167840998