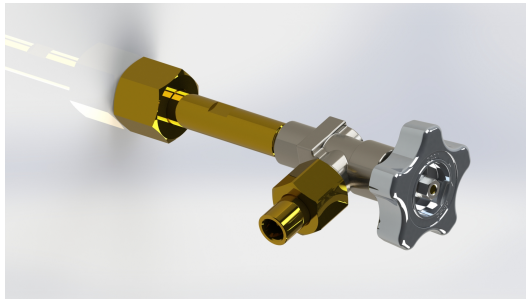




Medical gas devices



Purge valve

Product description

The purge valve is installed at the end of the manifold to purge the residual pressure in the high pressure line between the cylinders and the manifold itself and for maintenance or replacement of supply lines; the valve is supplied with a gas-specific threaded connector and can be connected to a drain using the Ø 12 mm weld-on pipe connector.

Normatives

UNI EN ISO 15001

Components

The valve body is made of CW617N brass.
PTFE anti-extrusion ring.

Technical data

CODE	GAS	INLET CONNECTION	DRAIN CONNECTION	WEIGHT	P.MAX
HV006	O ₂	UNI-2 - W21,7x1/14" 'A' RH	Ø 12 mm weld-on pipe	0,5 kg	200 bar
HV007	Air	UNI-6 - W30x1/14" 'A' RH	Ø 12 mm weld-on pipe	0,5 kg	200 bar
HV008	N ₂ O	UNI-9-DIN-11 - G3/8" 'A' RH	Ø 12 mm weld-on pipe	0,5 kg	200 bar
HV009	CO ₂	UNI-10 - W27x2 'A' RH	Ø 12 mm weld-on pipe	0,5 kg	200 bar
HV010	N ₂	UNI-5 - W21,7x1/14" 'B' RH	Ø 12 mm weld-on pipe	0,5 kg	200 bar

Technical Images

